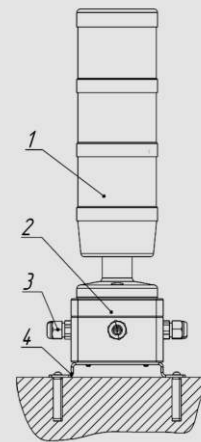


Audio-visual alarm unit for AT1121/AT1123 dosimeters

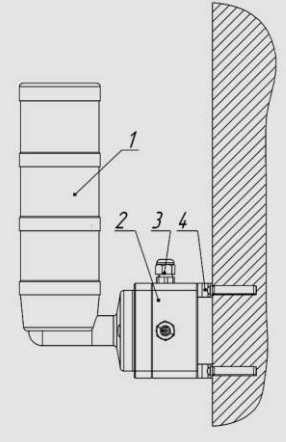


Variants of Alarm unit arrangement

- 1 – Alarm unit
- 2 – Terminal box
- 3 – Cable entry of terminal box
- 4 – Wall bracket



Horizontal arrangement



Vertical arrangement

Operating principle

There is one green and one red LED lamp in the alarm unit. The green lamp glows continuously when the radiation environment is normal. When the set dose rate threshold level is exceeded the green lamp fades and the red lamp start blinking accompanied by intermittent beep sound. Sound tone and loudness can be adjusted. The green lamp blinks in case of malfunction.

Connection

Dosimeter and remote control (if available) are connected to the alarm unit by cables. Cables from dosimeter and remote control side are equipped with five-pin connectors. There is no connection on cables from alarm unit side – the cables are prepared and guided into the terminal box of alarm unit through pressure seals. There are terminal blocks inside the terminal box with cable wires fixed in terminals by screws according to the wiring diagram.

External audio-visual alarm unit can be equipped with four groups of potential-free contacts upon request, which normal position (normally closed or normally opened) is programmed at the factory according to Customer requirements. When the dosimeter is powered off all potential-free contacts open automatically.

Each potential-free contact switches currents up to ± 100 mA at a voltage of ± 350 V efficiently.

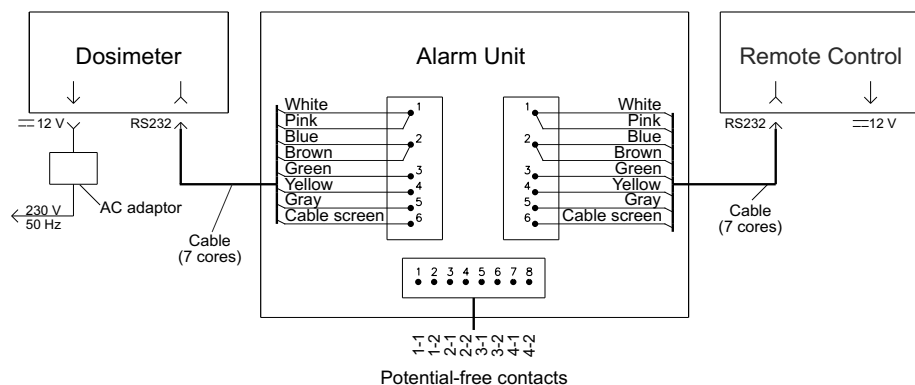
Connection to potential-free contact is realised by an external cable provided by the Customer through the pressure seal of the terminal box.

- Overall dimensions / weight:

Vertical arrangement -
319x103x122 mm / 1.25 kg
Horizontal arrangement -
256x168x122 mm / 1.25 kg

- Second dosimeter or computer can be connected to alarm unit (instead of remote control)

Dosimeter and remote control to alarm unit connection diagram



Signals entering alarm unit terminal block, to which the dosimeter is connected

- 1 contact – Common – White and pink wires
- 2 contact – +6 V – Blue and brown wires
- 3 contact – RXD – Green wire
- 4 contact – TXD – Yellow wire
- 5 contact – AB – Grey wire
- 6 contact – Cable screen

Design and specifications are subject to change without notice